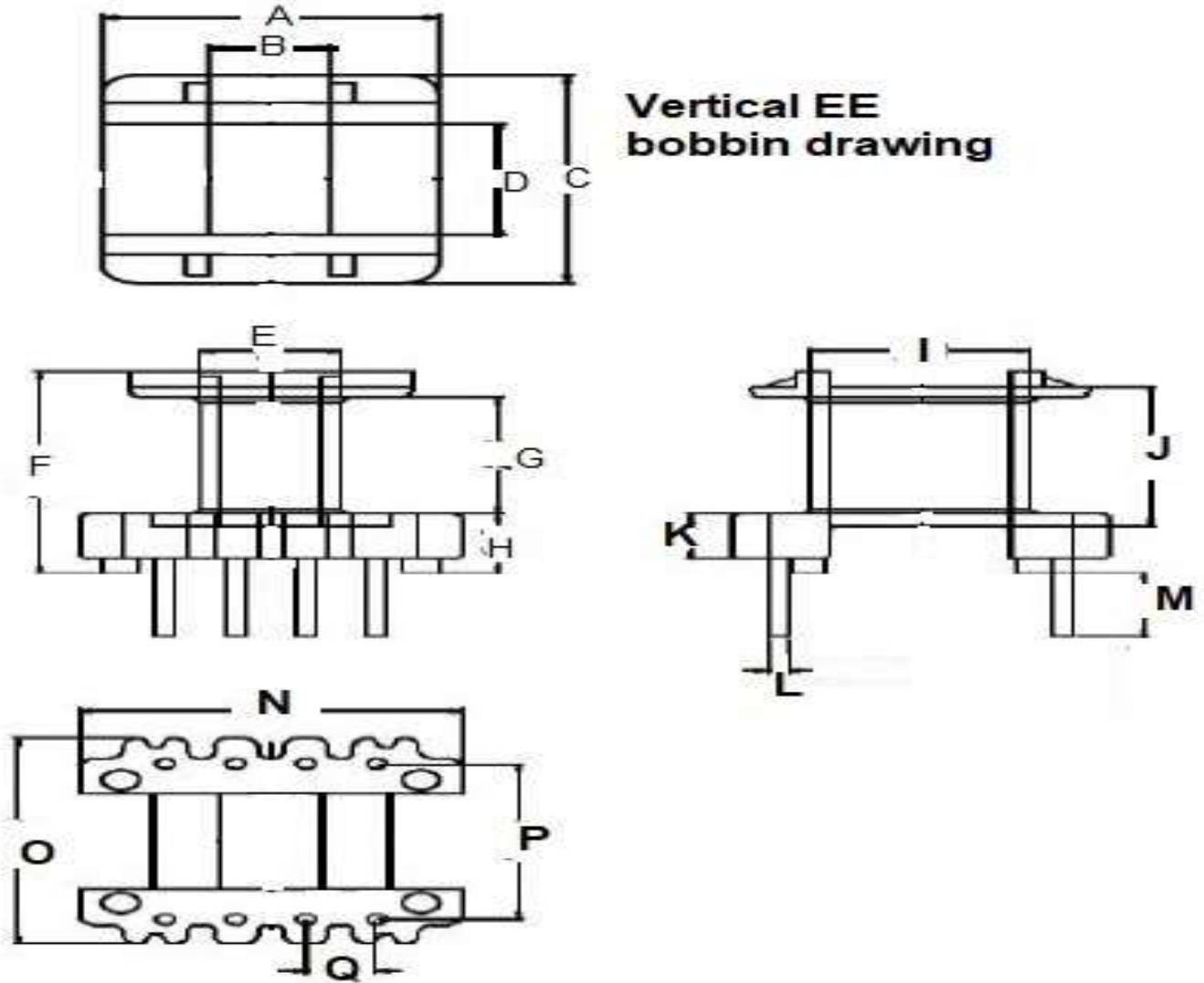


**Technical Data Sheet RoHS Compliant Product**

**EE16\*8\*10V Bobbin (Vertical)**



**Product Specifications:**

Geometry	Pin	A	B	C	D	E	F	G	H	I	J	K	L	M	N	O	P	Q
EE16*8*10V	5+5	11.3	4.35	17.3	10.2	5.5	13.75	8.7	3.7	11.5	10.5	2.3	0.6	4.5	16	17.3	14	3

<b>Geometry: EE16*8*10 (V) 5+5 P</b>	<b>Material:</b> Phenolic	<b>Scale:</b>	<b>Angle:</b> ±1° ▲
	<b>Pin Material:</b> CP Wire	<b>Unit:</b> mm	<b>Document Rev:</b> 0
	<b>Pin Pitch Tolerance:</b> ±0.20mm	<b>UL REQ:</b> UL 94V-0	
	<b>Dimensions Tolerances:</b> 0~4mm: ±0.1mm, 4~16mm: ±0.2mm, 16~63mm: ±0.3mm		